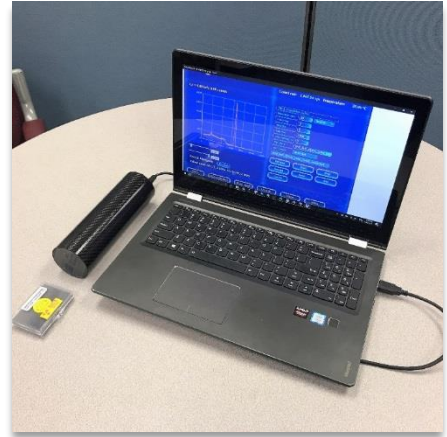




ScintiClear™ Developer Kit

Main features of the developer kit:

- USB-powered and controlled
- Web-browser base GUI
- Open source API in Python and C++
- Energy resolution $\leq 3.3\%$ at 662keV
- Low intrinsic activity
- High stopping power
- -30°C to $+55^{\circ}\text{C}$ operation temperature
- Digital pulse-shape acquisition capabilities



element Histogram

Choose detector: **eRC3432**

Count rate 940.69 cps **Temperature** 24.50 °C

MCA Acquisition: **Active**

Run time, min:

Lin or log:

Min Bin:

Max Bin:

Auto refresh, sec:

File name:

Get-format:

ScintiClear Srl-00317 2.9

x,y = 0.00 keV, 0.00 counts

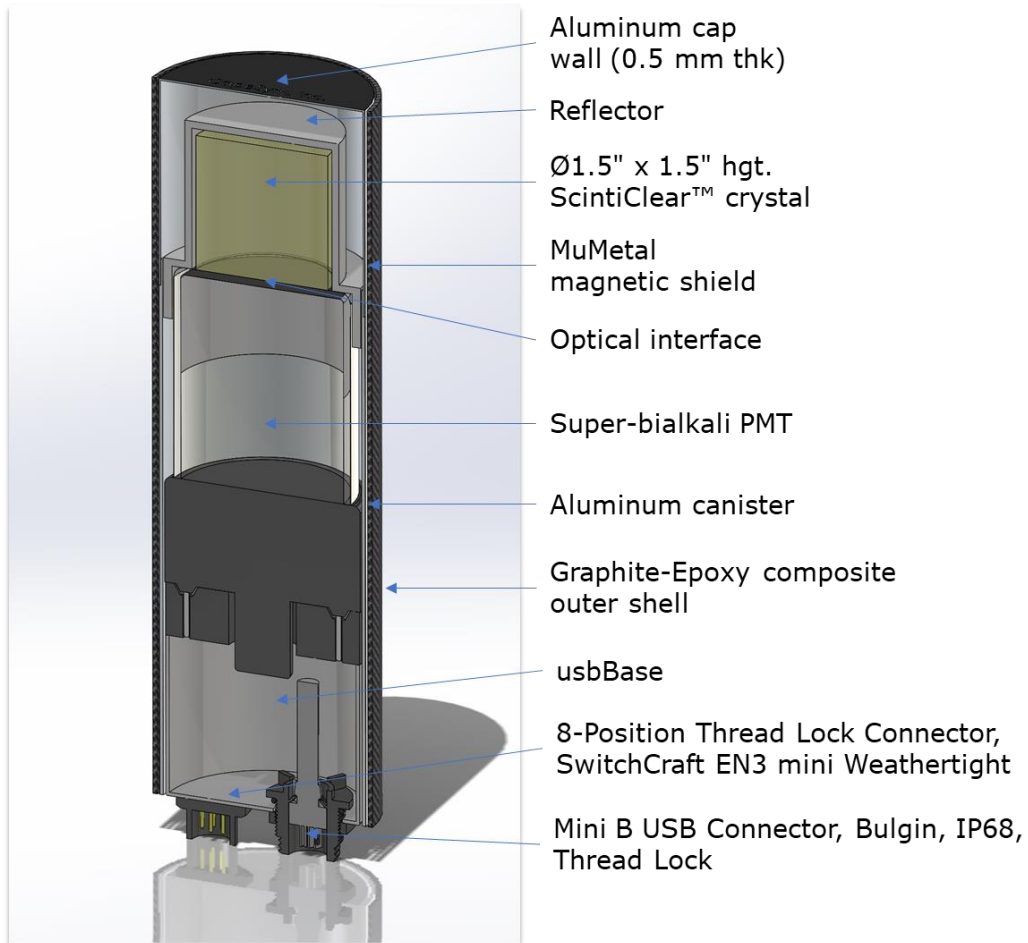
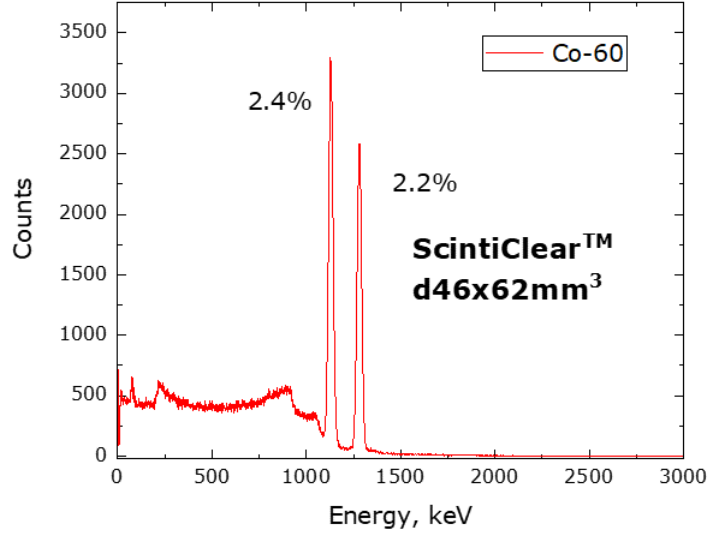
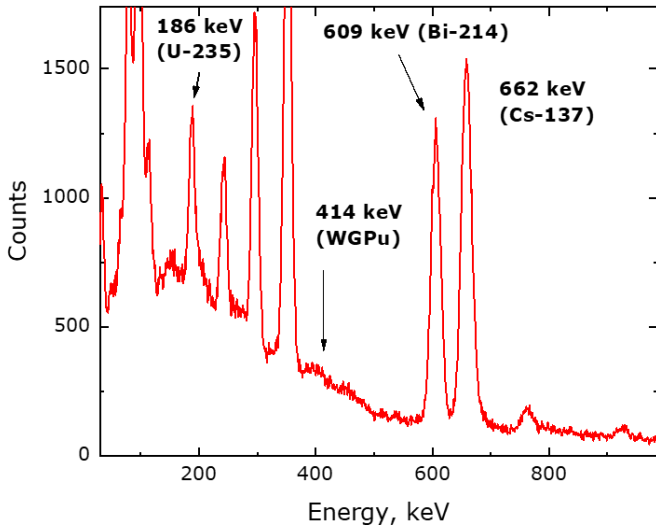
Energy histogram –

Tallest peak: 680.43, 2.88%, 23,895.65, 13.1598

x_min x_max

For digital data acquisition and analysis, usbBase from Bridgeport Instruments is used. The usbBase consists of an eMorpho multi-channel analyzer and an integrated high voltage generator and divider to power the PMT. More information available at <http://www.bridgeportinstruments.com>

Unambiguous Identification with ScintiClear™



For other detector sizes please refer to ScintiClear Standard Detectors flyer